

NOTES :

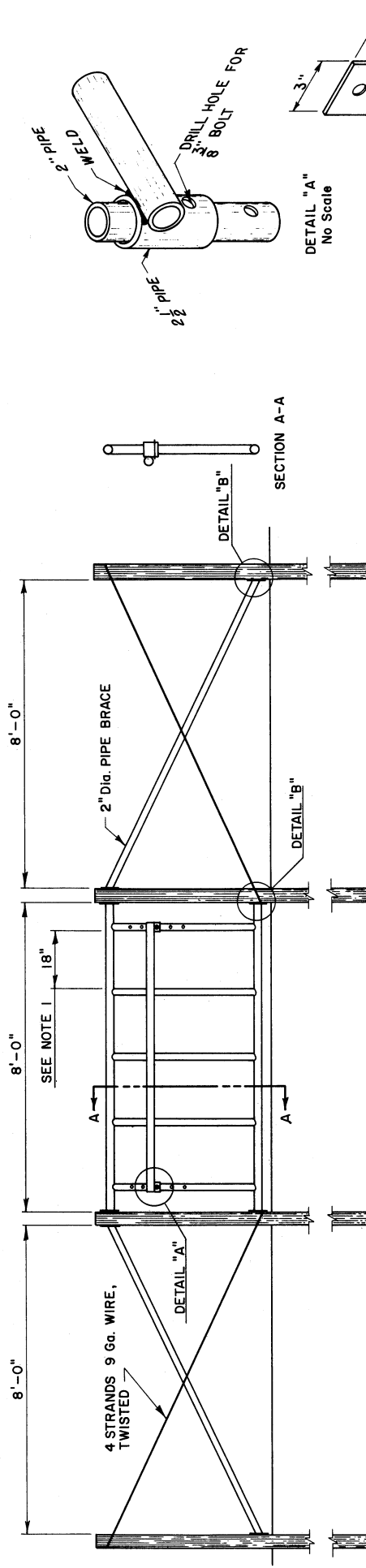
1. 18" Wide Is Generally Acceptable For Calves Up To 600 Lbs. This May Need To Be Varied For Your Specific Requirements.
2. Horizontal Bar To Be Adjustable From 24" To 48" (Measured From Ground Line) In 4" Increments. A Second Bar Is Required To Block Gate Completely.
3. Provide A Latch Post With The Capability To Latch Gate At Both Top And Bottom.
4. P.P.T. = Pressure Preservative Treated

COOPERATIVE EXTENSION WORK IN
 AGRICULTURE AND HOME ECONOMICS
 STATE OF TENNESSEE
 UNIVERSITY OF TENNESSEE
 UNITED STATES DEPARTMENT OF AGRICULTURE COOPERATING

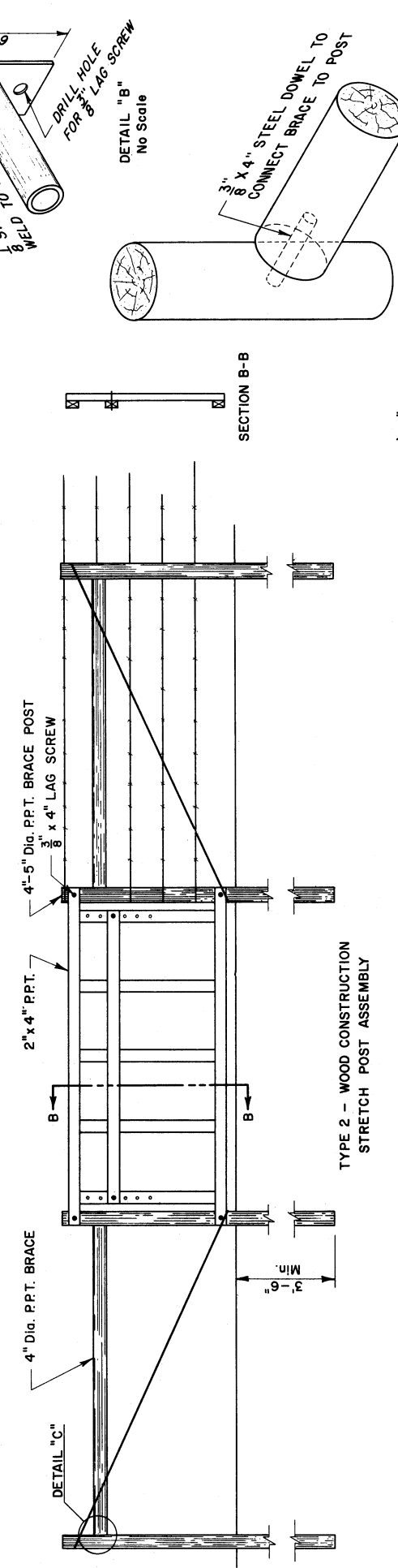
PASTURE CREEP GATE

OK '77 6266 SHEET 1 OF 2

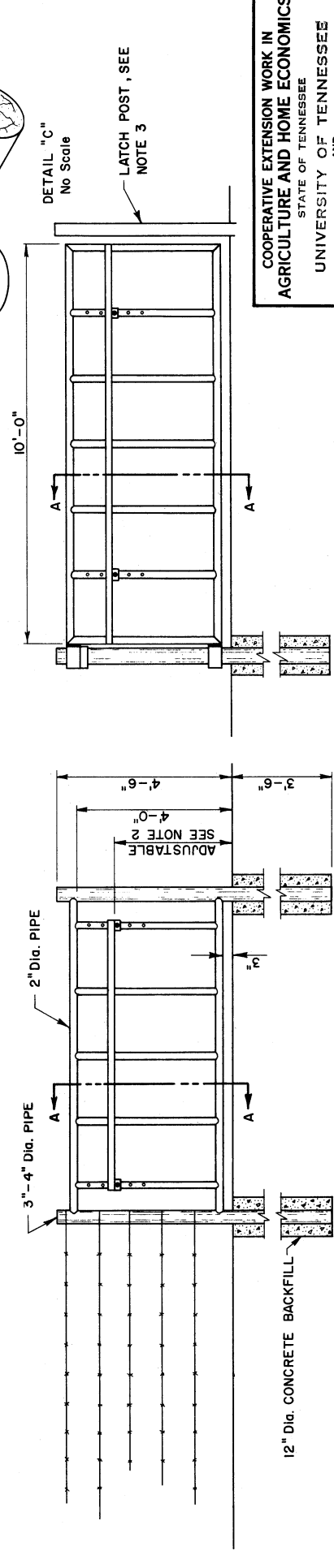
BASED ON: OKLA. STATE UNIV.
 PLAN NO. OK-724-31



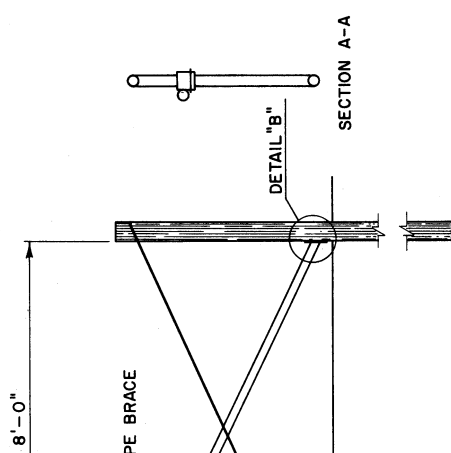
TYPE 1 - METAL & WOOD CONSTRUCTION
STRETCH POST ASSEMBLY



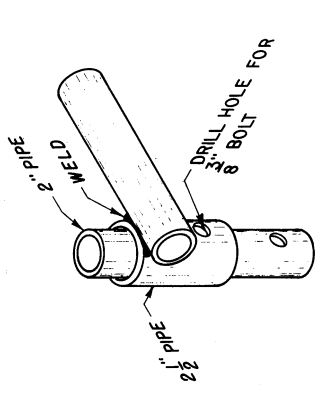
TYPE 2 - WOOD CONSTRUCTION
STRETCH POST ASSEMBLY



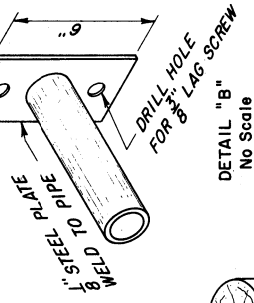
TYPE 3 - METAL CONSTRUCTION
STRETCH, CORNER, OR END POST ASSEMBLY



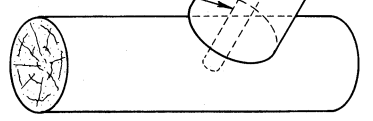
TYPE 4 - METAL CONSTRUCTION
PASTURE GATE ASSEMBLY



DETAIL "A"
No Scale



DETAIL "B"
No Scale



DETAIL "C"
No Scale